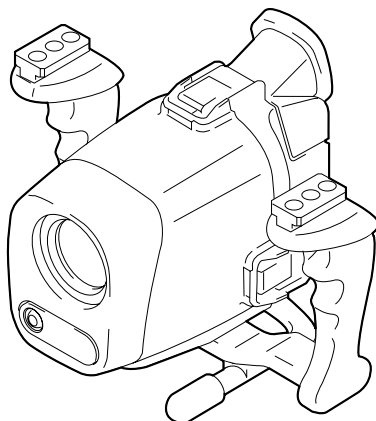


MPK-DVF2

SERVICE MANUAL

Ver 1.0 1999.03

*US Model
Canadian Model
AEP Model*



Differences Manual

This service manual only describes what are difference from the MPK-DVF.
When repairing, use the service manual for MPK-DVF (9-974-083-11).

• Main differences

Change of monitor ASSY and base (Correspond to DCR-TRV10 and DCR-TRV900)

Ref. No.	MPK-DVF	MPK-DVF2
1	MONITOR ASSY (US, Canadian) A-7007-341-A MONITOR ASSY (AEP) A-7007-432-A	MONITOR ASSY (US, Canadian) A-7007-943-A MONITOR ASSY (AEP) A-7007-942-A
15	PACKING, LCD 3-977-996-01	PACKING, LCD 3-055-912-01
107	BASE (B) 3-051-582-01	BASE (B) 3-051-582-02
114	BASE, SLIDE (PLATE, SCREW) 3-051-579-01	BASE, SLIDE (PLATE, SCREW) 3-051-579-02
115	SCREW, CAMERA FITTING 3-960-767-01	SCREW, CAMERA FITTING 3-960-767-11
116		BASE(C) 3-054-728-01

MARINE PACK



SONY®

SPECIFICATIONS

Material

Aluminum alloy, glass, plastic

Waterproofing

O-ring, 3 buckles

Usable depth

Up to 75 meters (246 feet)

Underwater microphone

Condenser microphone (monaural)

Controllable function

Power on/off, recording start/stop, auto focus on/off, power zooming, photo recording (DCR-TRV8/TRV9/TRV10/TRV890/TRV900 only)

Dimensions

Approx. 297 x 212 x 318 mm (w/h/d)
(11 3/4 x 8 3/8 x 12 5/8 in.)

Mass

Approx. 4.2 kg (9 lb 5 oz)

Supplied accessories

Camera mounting shoe A (1)
Camera mounting shoe B (1)
Spacer for camera mounting shoe B (1)
Screw plate (1)
Screw driver part (1)
Battery cushion (1)
O-ring (1)
Grease (1)
NP-F330 battery pack for the monitor (1)
R6 (size AA) battery (2)
Sunshade (1)
Color filter (1)
Reflex prevention ring (2)
Underwater wide-conversion lens (1)
Carrying bag (1)
Carrying belt (1)
Operating instructions (1)
Strap (3)

Recommended accessory

Underwater video light HVL-ML20

Design and specifications are subject to change without notice.

This section is extracted from instruction manual.

SECTION 1 GENERAL

Preparing

1 Preparing the camcorder

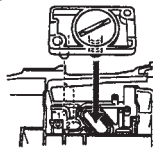
The DCR-TRV9 is the model used for illustration purposes. Otherwise, the model name is indicated in the illustrations. Any differences in operation are clearly indicated in the text, for example, "DCR-TRV9 only". For details, please refer to the operating instructions supplied with your camcorder.

- (1) Remove the lens cap, shoulder strap, conversion lens or filter from the camcorder.
- (2) Attach a charged battery pack.
- (3) Insert a cassette tape.
- (4) Attach the reflex prevention ring to the tip of the lens.
for DCR-TRV7/TRV9 : ø 37 mm (large)
for DCR-TRV8/TRV10 : ø 30 mm (small)
for DCR-TRV890/TRV900 : disuse
- (5) Attach the camera mounting shoe A (for DCR-TRV7) or the camera mounting shoe B* (for DCR-TRV8**/TRV9/TRV10**/TRV890/TRV900). Remove the metal part from the camera mounting shoe B and firmly attach the screw plate until the catch on the reverse side of the camera mounting shoe B clicks into place.
For DCR-TRV8/TRV9/TRV10/TRV890/TRV900, connect the A/V connecting cable of the camera mounting shoe B to the camcorder's AUDIO/VIDEO jack.
- (6) Adjust the camcorder.
Cancel the following functions: BACK LIGHT, NightShot, PROGRAM AE and picture effect.

US

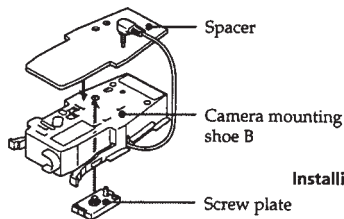
Camera mounting shoe A	DCR-TRV7
Camera mounting shoe B	1 DCR-TRV9
	2 DCR-TRV890/TRV900
	3 DCR-TRV8/TRV10

* To attach the camera mounting shoe B
Attach the screw plate to the camera mounting shoe B.



Installing position of the screw plate

** Use the spacer supplied when you attach the camera mounting shoe B.



Installing position of the screw plate

Preparing

1

5

6

DCR-TRV7

② Select COMMANDER to ON in the menu system.

③ Slide the AUTO LOCK switch up.

④ Select V-OUT/LCD in the DISPLAY menu, and press the DISPLAY button on your camcorder before attaching it to the marine pack.

① Set the POWER switch to CAMERA.

DCR-TRV8/TRV9/TRV10/TRV890/TRV900

② Select COMMANDER to ON in the menu system.

③ Slide FOCUS switch up to AUTO.

④ Select V-OUT/LCD in the DISPLAY menu, and press the DISPLAY button on your camcorder before attaching it to the marine pack.

① Set the POWER switch to CAMERA.

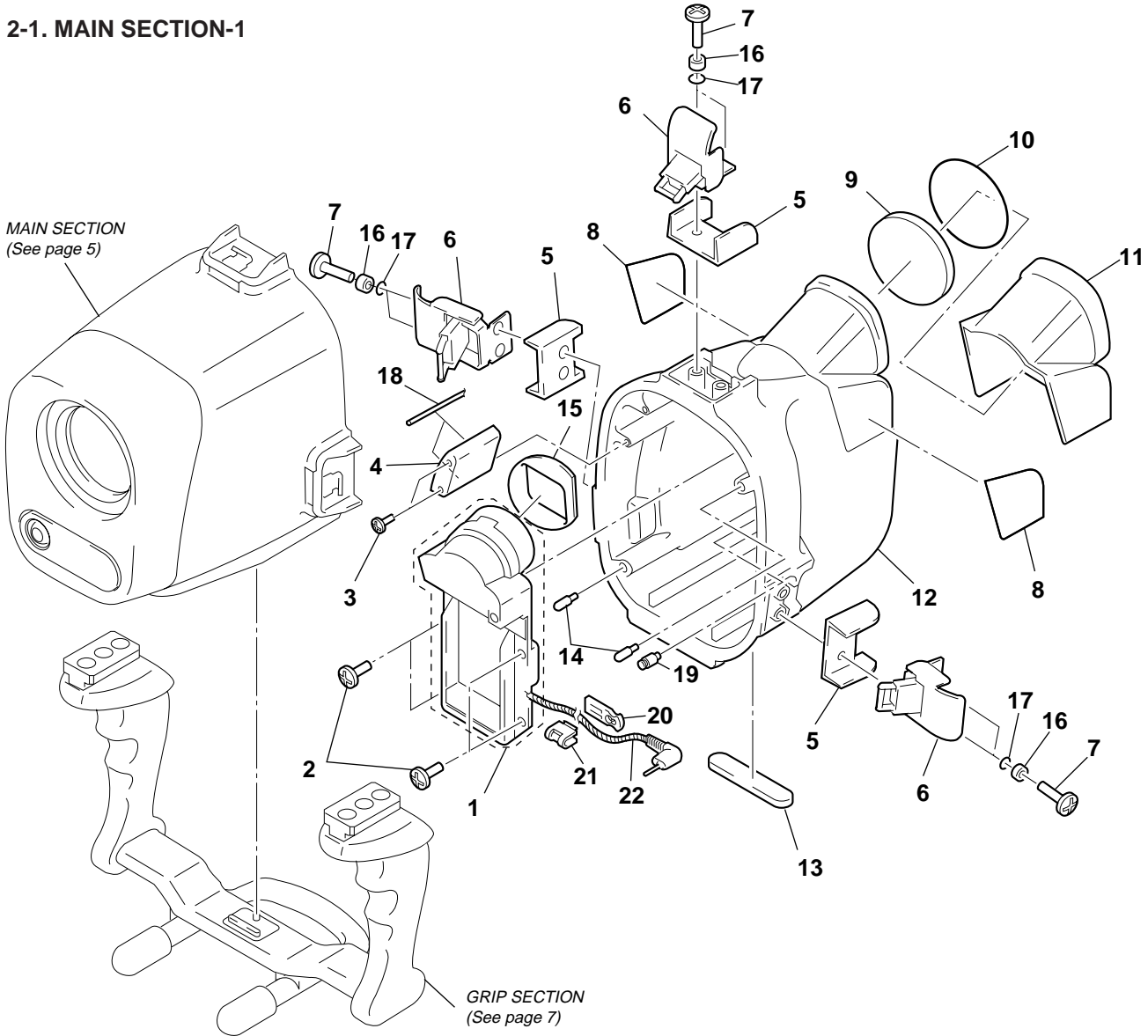
SECTION 2 EXPLODED VIEWS

NOTE :

- -XX, -X mean standardized parts, so they may have some difference from the original one.
- Items marked “ * ” are not stocked since they are seldom required for routine service. Some delay should be anticipated when ordering these items.
- The mechanical parts with no reference number in the exploded views are not supplied.
- Hardware (# mark) list and accessories and packing materials are given in the last of this parts list.

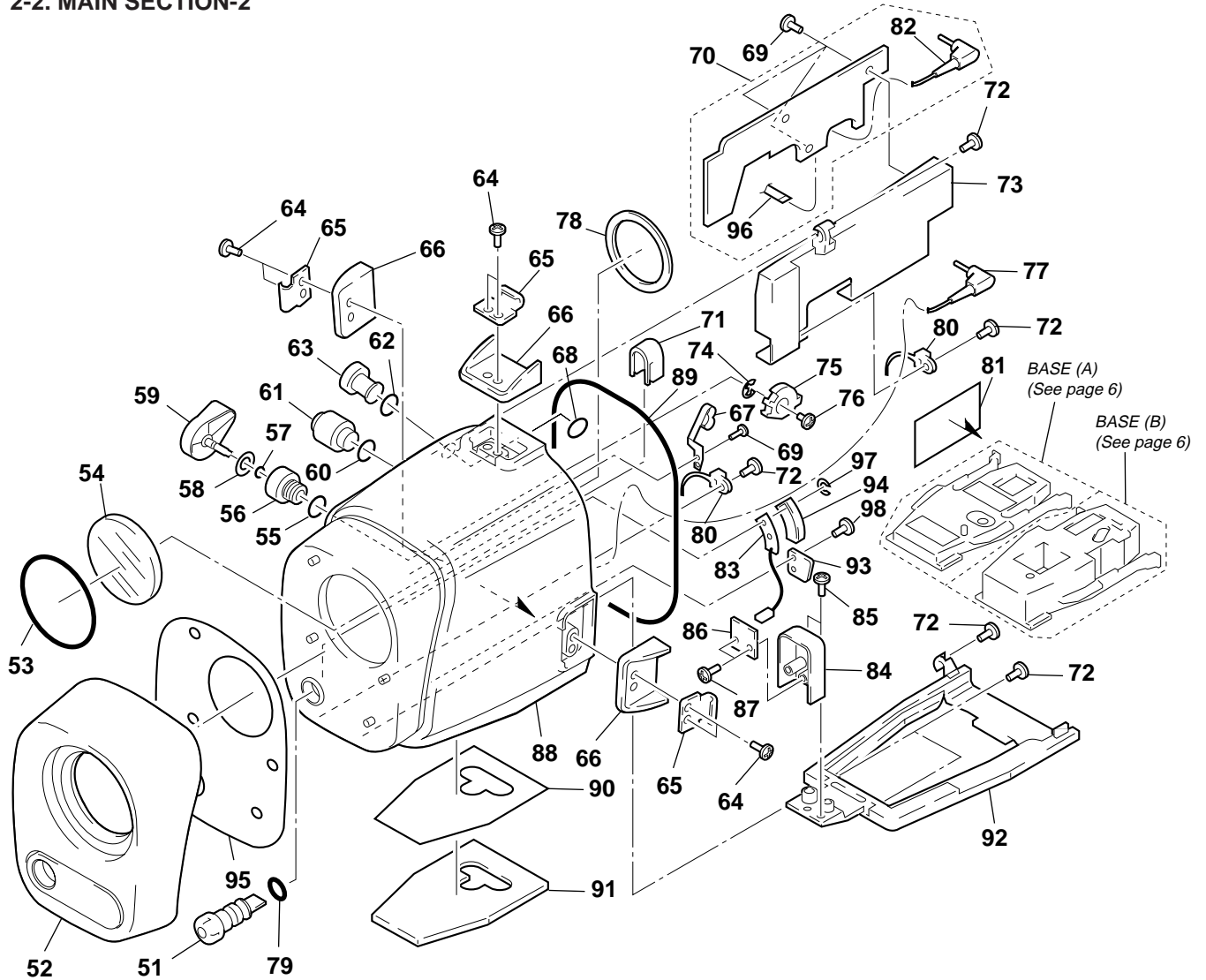
Note :
Items marked “ ! ” are parts in relation to waterproof.
Replace these components with Sony parts.
Be sure to check up waterproofing after repair.

2-1. MAIN SECTION-1



Ref. No.	Part No.	Description	Remark	Ref. No.	Part No.	Description	Remark
1	A-7007-943-A	MONITOR ASSY (US, Canadian)		! 12	3-051-575-01	CASE, REAR	
1	A-7007-942-A	MONITOR ASSY (AEP)		13	3-976-698-01	FOOT, MAIN RUBBER	
2	3-977-369-01	SCREW, +P M3X8		14	3-977-265-01	PIN, POSITIONING	
3	3-052-092-01	SCREW, +P M2.6		! 15	3-055-912-01	PACKING, LCD	
4	3-051-577-01	COVER, FIBER		16	3-052-426-01	COLLAR, PUNCH LOCK STOPPER	
5	3-976-710-11	COVER (R), BUCKLE		! 17	3-052-427-01	RING (S-5), O	
! 6	2-390-778-02	BUCKLE		18	3-051-698-01	FIBER, PLASTIC	
7	3-977-370-11	SCREW, +P M3.5X10		19	3-051-583-01	PIN, CABLE FIXED	
8	3-977-994-01	SHEET, REAR PROTECTOR ADHESIVE		* 20	3-051-584-01	STRAP (A), CABLE	
! 9	3-976-695-01	GLASS, REAR		* 21	3-051-585-01	STRAP (B), CABLE	
! 10	3-977-361-01	RING (G58), O		* 22	3-054-713-01	TUBE (A) SPIRAL	
! 11	3-976-694-01	PROTECTOR, REAR CASE			3-054-714-01	TUBE (B) SPIRAL	

2-2. MAIN SECTION-2

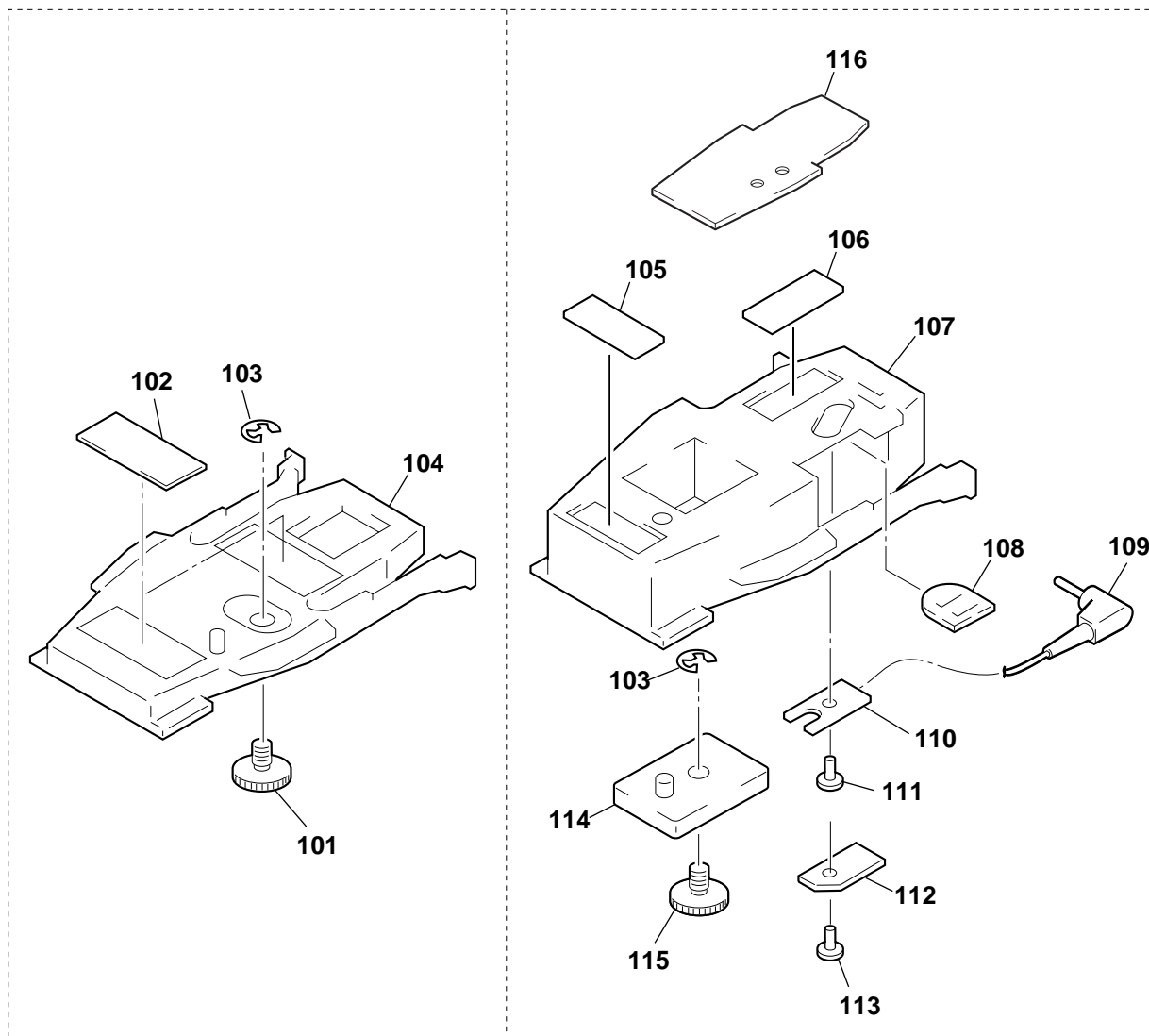


Ref. No.	Part No.	Description	Remark	Ref. No.	Part No.	Description	Remark
51	A-7007-751-A	MICROPHONE ASSY, UNDERWATER		75	3-051-574-01	CAM, POWER LEVER	
52	3-976-665-01	PROTECTOR, FRONT CASE		76	3-977-368-11	SCREW, +P M2.6	
/ 53	3-977-360-01	RING (G55), O		77	1-696-932-51	CORD, CONNECTION (MIC)	
/ 54	3-976-668-01	GLASS, FRONT		78	3-051-586-01	PROTECTOR, FRONT LENS	
/ 55	3-977-363-01	RING (JAS01011), O		! 79	3-950-846-01	RING (P-7), O	
56	3-976-681-01	SWITCH (BEARING), POWER		80	3-977-269-01	INSULOCK (T18 MRW)	
/ 57	3-977-357-01	RING (P-3), O		81	3-052-219-01	GUARD, CAMERA	
58	3-977-915-01	WAVE, WASHER		82	1-696-933-71	CORD, CONNECTION (LANC)	
59	3-976-669-11	LEVER, POWER		83	A-7073-652-A	LL-9 BOARD, COMPLETE	
/ 60	3-950-888-01	RING (P-11), O		84	3-977-974-01	COVER, LED BOARD	
61	X-3942-412-1	BUTTON ASSY, AF SELECTION		85	3-978-338-01	SCREW, +P M2X5 BT	
/ 62	3-950-858-01	RING (P-9), O		86	A-7073-651-A	LL-8 BOARD, COMPLETE	
63	3-976-680-01	WINDOW, SENSOR		87	3-977-366-01	SCREW, +P M2X4 BT	
64	3-977-370-01	SCREW, +P M3.5X10		! 88	3-976-664-11	CASE, FRONT	
/ 65	2-115-906-01	RETAINER, BUCKLE		! 89	3-977-362-01	RING (V145), O	
66	3-976-711-01	COVER (F), BUCKLE		90	3-977-972-01	SHEET, GUARD RUBBER ADHESIVE	
67	3-051-559-01	SPRING, POWER SWITCH		91	3-977-264-01	GUARD RUBBER	
/ 68	3-950-907-01	RING (S-8), O		92	3-976-666-01	RAIL, BASE	
69	3-977-366-01	SCREW, +P M2		93	3-051-601-01	COVER, CABLE	
70	A-7073-650-A	LM-57 BOARD, COMPLETE		94	3-051-602-01	COVER, FRONT SENSOR	
71	3-976-682-01	COVER, MICROPHONE		! 95	3-977-995-01	SHEET, FRONT PROTECTOR ADHESIVE	
72	3-977-369-01	SCREW, +P M3X8		96	1-696-021-31	WIRE (LEAK SENSOR)	
73	3-051-599-01	COVER, INNER		97	3-052-220-01	RING (GTW-2), GRIP MOLD STOPPER	
74	2-391-512-01	E RING, 5		98	3-977-369-21	SCREW, +P M3	

2-3. BASE (A), (B)

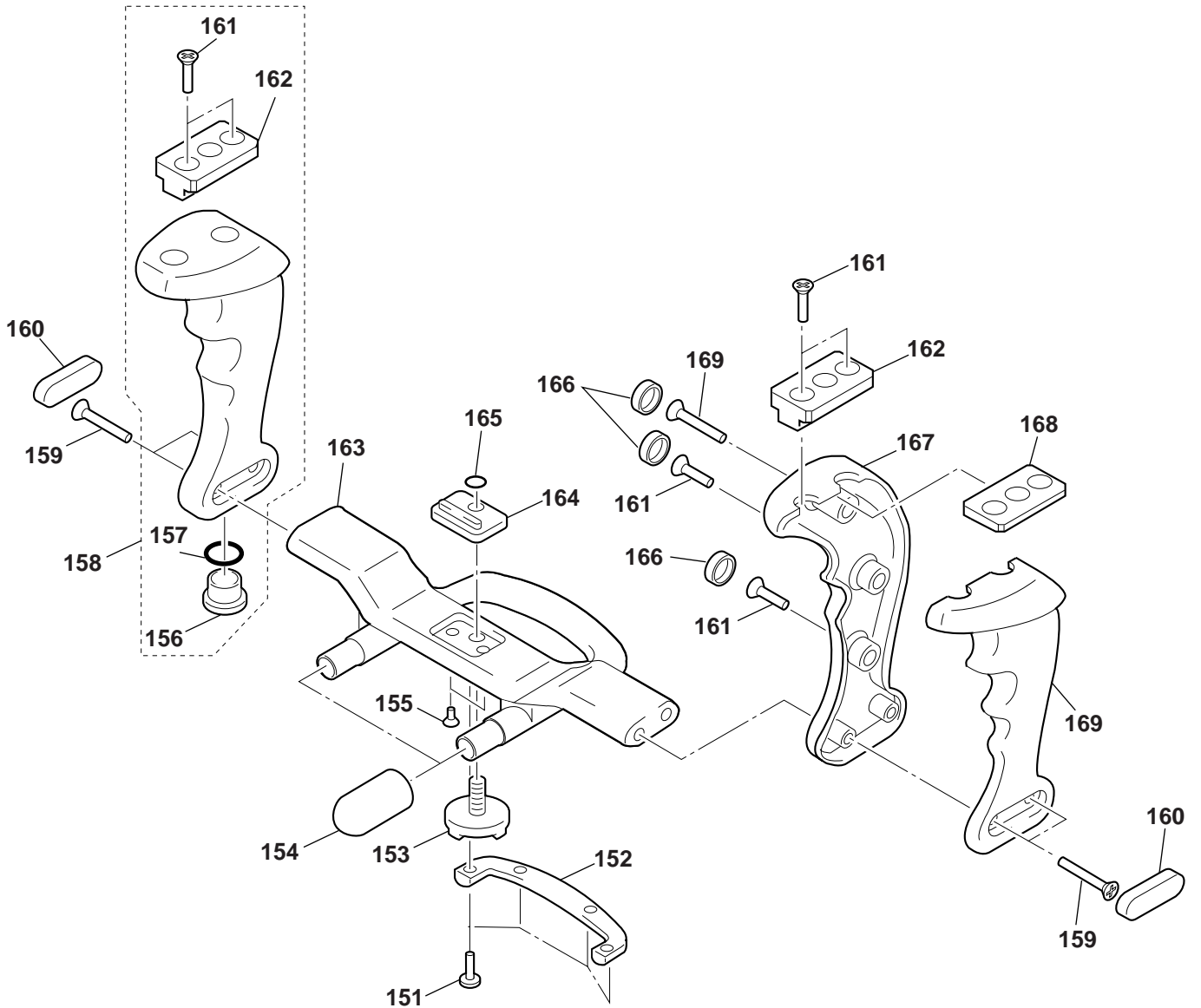
BASE (A) : DCR-TRV7

BASE (B) : DCR-TRV9, DCR-TRV10, DCR-TRV900



Ref. No.	Part No.	Description	Remark	Ref. No.	Part No.	Description	Remark
* 101	3-970-217-01	SCREW, CAMERA FITTING		109	1-782-557-21	CORD, CONNECTION (A/V CABLE)	
102	3-964-843-01	SHEET, PROTECTION		110	A-7073-655-A	DZ-3 BOARD, COMPLETE	
103	2-391-512-01	E RING, 5		111	3-052-092-01	SCREW, +P M2X6	
104	3-976-671-01	BASE		112	3-051-587-01	COVER, AV JACK	
105	3-052-491-01	SHEET (B), PROTECTION		113	3-977-366-11	SCREW, +P M2	
* 106	3-971-661-01	SHEET (A), PROTECTION		114	3-051-579-02	BASE, SLIDE (PLATE, SCREW)	
107	3-051-582-02	BASE (B)		115	3-960-767-11	SCREW, CAMERA FITTING	
108	3-953-086-01	BRACKET		116	3-054-728-01	BASE (C)	

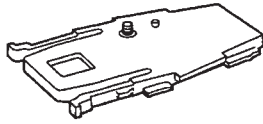
2-4. GRIP SECTION



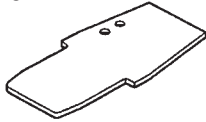
Ref. No.	Part No.	Description	Remark	Ref. No.	Part No.	Description	Remark
151	3-977-371-01	SCREW, +P M4X8		161	3-944-944-01	SCREW, +K (5X18)	
152	3-976-691-01	FOOT, KEEL		162	3-944-943-01	SHOE, ACCESSORY	
153	3-976-690-01	KNOB, TRIPOD SCREW		163	3-976-688-01	KEEL	
154	3-976-689-01	FOOT, KEEL RUBBER		164	3-976-692-01	FIXED (LARGE)	
155	2-186-307-01	SCREW (2) (M3X8), TAPPING		! 165	3-950-887-01	RING (P-4), O	
156	3-945-010-01	LID, BATTERY REPLACEMENT		166	3-946-347-01	COVER (2), GRIP	
! 157	3-945-087-01	RING, O		167	3-945-019-01	GRIP (L P)	
158	A-7007-753-A	GRIP (R) ASSY		168	3-945-011-01	BRACKET, ACCESSORY SHOE	
159	3-944-944-11	SCREW, +K (5X30)		169	3-945-013-01	GRIP (L D)	
160	3-945-020-01	COVER, GRIP					

2-5. ACCESSORIES SECTION

(See Page 6)



201



202



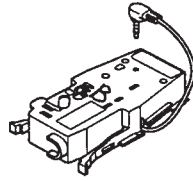
203



204
205



(See Page 6)



206



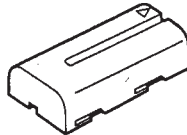
207



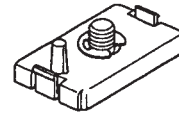
208



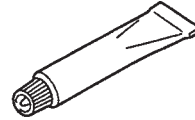
209



(See Page 6)



210



211



Ref. No.	Part No.	Description	Remark	Ref. No.	Part No.	Description	Remark
		ACCESSORIES & PACKING MATERIALS *****		211	3-055-230-01	REFLEX PREVENTION RING (ø37)	
					3-055-231-01	REFLEX PREVENTION RING (ø30)	
					3-866-145-11	MANUAL, INSTRUCTION (ENGLISH/FRENCH/SPANISH)(US/CND)	
201	3-054-728-01	BASE (C)			3-866-145-21	MANUAL, INSTRUCTION (ENGLISH/FRENCH/GERMAN/SPANISH) (AEP)	
! 202	3-977-362-01	RING, (V145) O			3-866-145-31	MANUAL, INSTRUCTION (DUTCH/SWEDISH/ ITALIAN/PORTUGUESE) (AEP)	
203	3-977-715-01	HOOD, LIGHT INTERCEPTION			3-866-145-41	MANUAL, INSTRUCTION (RUSSIAN/ARABIC/CHINESE/KOREAN) (AEP)	
204	3-976-762-01	CASE, SOFT CARRYING					
205	3-977-971-01	CARRYING BELT					
206	3-953-086-01	BRACKET					
207	3-051-636-01	CONVERSION (MAIN). WIDE					
	3-052-046-01	CAP, FRONT					
	3-052-047-01	CAP, REAR					
208	A-7007-757-A	FILTER BLOCK ASSY					
209	** NP-F330	BATTERY PACK					
210	2-115-921-01	GREASE					

Note

** MARK PARTS IS AVAILABLE AS AN OPTIONAL ACCESSORY.

SECTION 3
ELECTRICAL PARTS LIST

NOTE :

- Due to standardization, replacements in the parts list may be different from the parts specified in the diagrams or the components used on the set.
- -XX, -X mean standardized parts, so they may have some difference from the original one.
- RESISTORS
All resistors are in ohms
METAL : Metal-film resistor
METAL OXIDE :Metal oxide-film resistor
F : nonflammable
- Items marked “ * ” are not stocked since they are seldom required for routine service. Some delay should be anticipated when ordering these items.

- SEMICONDUCTORS
In each case, u : μ , for example :
uA.... : μ A.... , uPA.... : μ PA....
uPB.... : μ PB.... , uPC.... : μ PC....
uPD.... : μ PD....
- CAPACITORS
uF : μ F
- COILS
uH : μ H

Note :

Items marked “ / ” are parts in relation to waterproof.
Replace these components with Sony parts.
Be sure to check up waterproofing after repair.

When indicating parts by reference number, please include the board.

Ref. No.	Part No.	Description	Remark	Ref. No.	Part No.	Description	Remark
	A-7073-655-A	DZ-3 BOARD, COMPLETE *****			A-7073-650-A	LM-57 BOARD, COMPLETE *****	
	A-7073-651-A	LL-8 BOARD, COMPLETE *****				MISCELLANEOUS *****	
	A-7073-652-A	LL-9 BOARD, COMPLETE *****		77	1-696-932-51	CORD, CONNECTION (MIC)	
				82	1-696-933-71	CORD, CONNECTION (LANC)	
				96	1-696-021-31	WIRE (LEAK SENSOR)	
				109	1-782-557-21	CORD, CONNECTION (A/V CABLE)	

